

# PRODUCT INFORMATION PACKET



Model No: C184T17WK25A

Catalog No: 194003.00

.5HP..1800RPM.184TC.TEFC.230/460V.3PH.60HZ.CONT.40C.1.15S.F..RIGID C FACE.....STAINLESS  
WASHDOWN.NOT.....

Paint Free



Regal and Leeson are trademarks of Regal Beloit Corporation or one of its affiliated companies.

©2018 Regal Beloit Corporation, All Rights Reserved. MC017097E



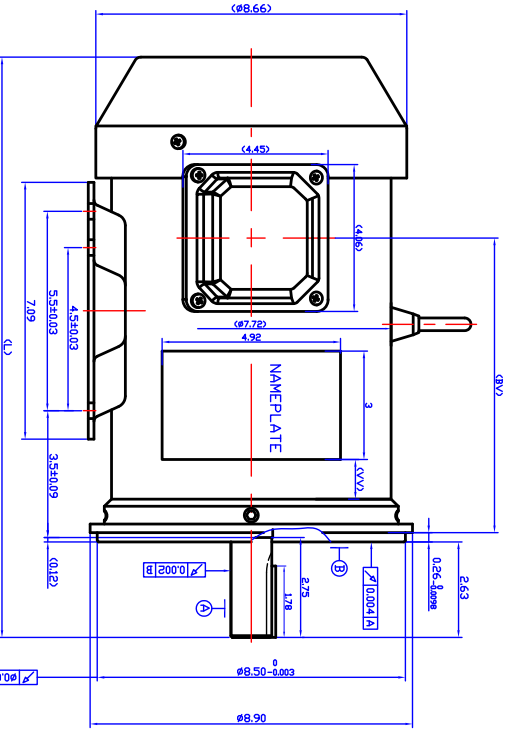
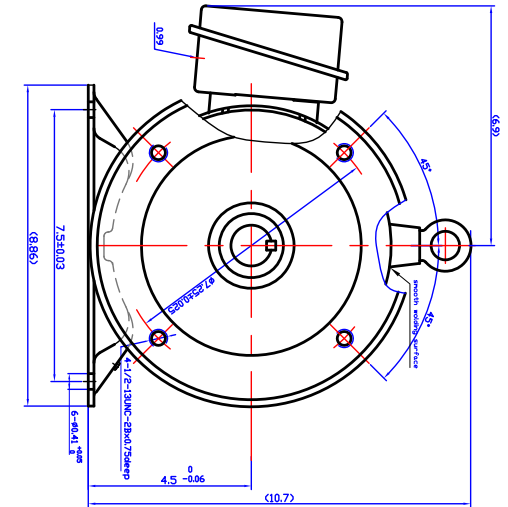


### Nameplate Specifications

Output HP	5 Hp	Output KW	3.7 kW
Frequency	60 Hz	Voltage	230/460 V
Current	12.4/6.2 A	Speed	1745 rpm
Service Factor	1.15	Phase	3
Efficiency	89.5 %	Duty	Continuous
Insulation Class	F	Design Code	B
KVA Code	J	Frame	184TC
Enclosure	Totally Enclosed Fan Cooled	Overload Protector	No
Ambient Temperature	40 °C	Drive End Bearing Size	6306
Opp Drive End Bearing Size	6306	UL	Recognized
CSA	Y	CE	Y
IP Code	55		

### Technical Specifications

Electrical Type	Squirrel Cage Inverter Rated	Starting Method	Line Or Inverter
Poles	4	Rotation	Reversible
Mounting	Rigid base	Motor Orientation	HORIZONTAL
Drive End Bearing	BALL	Opp Drive End Bearing	BALL
Frame Material	Stainless Steel	Shaft Type	T
Overall Length	16.97 in	Frame Length	11.42 in
Shaft Diameter	1.125 in	Shaft Extension	2.75 in
Assembly/Box Mounting	F1 ONLY		
Outline Drawing	OL180TCSST	Connection Diagram	005010.01



CAT NO	GW MODEL NO	FRAME	HP	VOL.TS	HZ	RPM	MOUNTING	SF	DUTY	ENCL.	PH	VV	BV	L
194000.00	GW33-2-182TC	182TC-2	3	230/460	60	3600	RIGID+C FLANGE	115	CONT.	TEFC	3	108	8/2	16.97
194102.00	GW33-2-575-182TC	182TC-2	3	575	60	3600	RIGID+C FLANGE	115	CONT.	TEFC	3	108	8/2	16.97
194001.00	GW33-4-182TC	182TC-4	3	230/460	60	1800	RIGID+C FLANGE	115	CONT.	TEFC	3	108	8/2	16.97
194003.00	GW33-4-575-182TC	182TC-4	3	575	60	1800	RIGID+C FLANGE	115	CONT.	TEFC	3	108	8/2	16.97
194002.00	GW33-2-184TC	184TC-2	5	230/460	60	3600	RIGID+C FLANGE	115	CONT.	TEFC	3	168	9/90	18.14
194104.00	GW33-2-575-184TC	184TC-2	5	575	60	3600	RIGID+C FLANGE	115	CONT.	TEFC	3	168	9/90	18.14
194003.00	GW33-4-184TC	184TC-4	5	230/460	60	1800	RIGID+C FLANGE	115	CONT.	TEFC	3	168	9/90	18.14
194105.00	GW33-4-575-184TC	184TC-4	5	575	60	1800	RIGID+C FLANGE	115	CONT.	TEFC	3	168	9/90	18.14

DR BY: ZHANGQING      2016-08-18

APPD:

FIRST ANGLE PROJECTION

EDS DATE: REV4

VERSION: REV4

DESCRIPTION: REGAL REGAL-BELOIT CORPORATION  
OUTLINE OF SST MOTORS FOR 180 FR

SIZE: A3      DWG NO: OL180TCSST

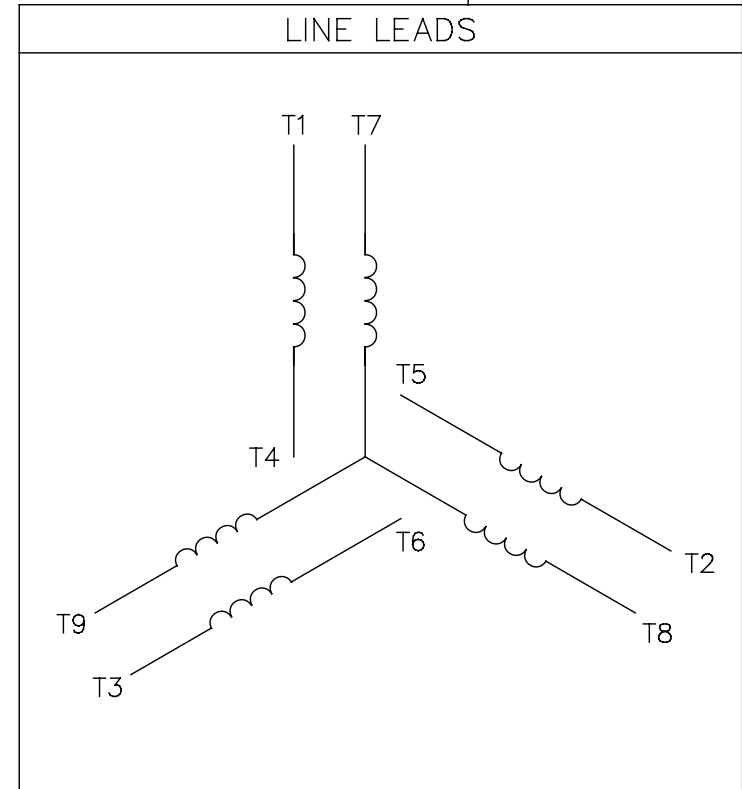
SCALE: 1:2      SHEET:

CONFIDENTIAL: THIS DRAWING AND ITS INFORMATION ARE THE EXCLUSIVE AND CONFIDENTIAL PROPERTY OF REGAL BELLOIT CORPORATION AND ARE NOT TO BE DISCLOSED, DUPLICATED, DISTRIBUTED OR OTHERWISE USED WITHOUT THE WRITTEN CONSENT OF REGAL BELLOIT CORPORATION.

-ALL RIGHTS RESERVED.

005010-01

VIEW FROM OUTSIDE OF MOTOR AT SWITCH END.



VOLTAGE	L1	L2	L3	JOIN & INSULATE
HIGH	T1	T2	T3	(T4,T7) (T5,T8) (T6,T9)
LOW	T1,T7	T2,T8	T3,T9	T4,T5,T6

				TOLERANCES UNLESS SPECIFIED		<b>Regal Beloit America, Inc.</b>		DRAWN RDW 04/12/02			
				DEC.	INCHES			CHK			
				.X	±.1			APPD			
				.XX	±.01			SCALE 1=1			
				.XXX	±.005	REF FIG.2-51					
A	UPDATED TO REGAL LOGO		SAJ 06/26/15	AJY	.XXXX	±.0005	MAT'L. DECAL - 004014		FMF		
NO.	REVISION		BY & DATE	CHK	ANG	±1/2"	FINISH		PREV		
THIS DRAWING IN DESIGN AND DETAIL IS OUR PROPERTY AND MUST NOT BE USED EXCEPT IN CONNECTION WITH OUR WORK ALL RIGHTS OF DESIGN AND INVENTION ARE RESERVED THIS IS AN ELECTRONICALLY GENERATED DOCUMENT - DO NOT SCALE THIS PRINT				RFP	04/12/02		CAD FILE 00501001		SIZE	DRAWING NO.	REV.
				DIST BRF-NLV				A	005010-01	A	